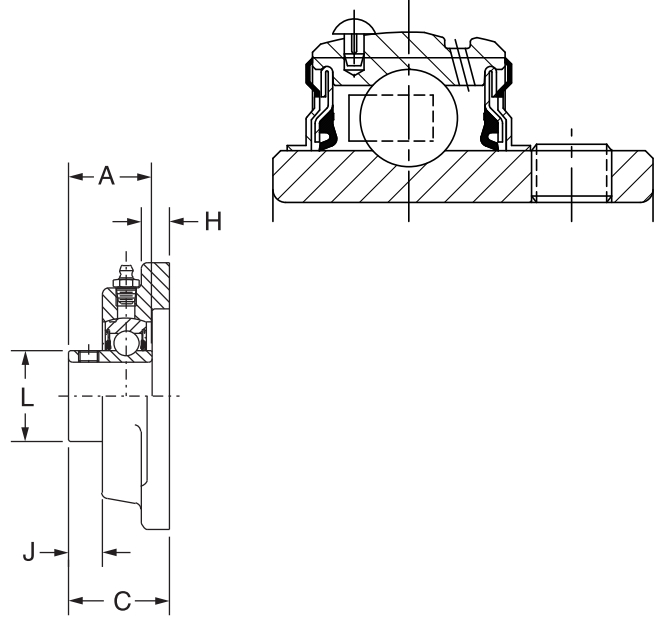
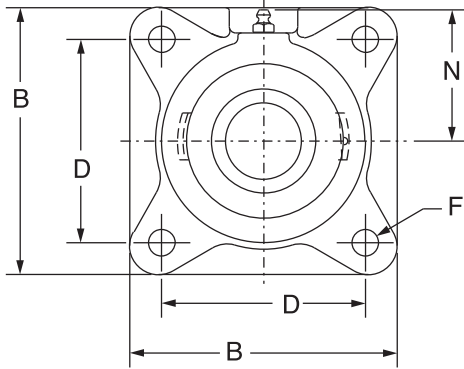


# SELECTION/DIMENSIONS



## Setscrew Ball Bearings SC NORMAL DUTY 4-BOLT FLANGE BEARINGS

**Lube Fitting Thread Size:**  
 203 - 204 series - 1/4-28 tapered thread  
 207 - 207 series - 1/8-27 NPT



Series	Shaft Size	Standard		No-Lube/Sealed for Life (-NL)	
		Part No.	Description	Part No.	Description
203	1/2	<b>124048</b>	F4B-SC-008	@	F4B-SC-008-NL
	5/8	<b>124049</b>	F4B-SC-010	<b>067642</b>	F4B-SC-010-NL
	17mm	<b>125885</b>	F4B-SC-17M	@	F4B-SC-17M-NL
204	1/2	<b>124098</b>	F4B-SC-008L	@	F4B-SC-008L-NL
	5/8	<b>124099</b>	F4B-SC-010L	@	F4B-SC-010L-NL
	3/4	<b>124100</b>	F4B-SC-012	<b>052010</b>	F4B-SC-012-NL
	13/16	<b>124567</b>	F4B-SC-013	@	F4B-SC-013-NL
	20mm	<b>125886</b>	F4B-SC-20M	<b>074714</b>	F4B-SC-20M-NL
205	7/8	<b>124101</b>	F4B-SC-014	<b>075765</b>	F4B-SC-014-NL
	15/16	<b>124102</b>	F4B-SC-015	<b>126524</b>	F4B-SC-015-NL
	1	<b>124103</b>	F4B-SC-100	<b>126525</b>	F4B-SC-100-NL
	25mm	<b>125887</b>	F4B-SC-25M	<b>064943</b>	F4B-SC-25M-NL
	206	1-1/16	<b>124218</b>	F4B-SC-101	@
1-1/8		<b>124204</b>	F4B-SC-102	<b>126526</b>	F4B-SC-102-NL
1-3/16		<b>124205</b>	F4B-SC-103	<b>050834</b>	F4B-SC-103-NL
1-1/4		<b>123173</b>	F4B-SC-104S	<b>051987</b>	F4B-SC-104S-NL
30mm		<b>125888</b>	F4B-SC-30M	<b>067874</b>	F4B-SC-30M-NL
207	1-1/4	<b>124206</b>	F4B-SC-104	<b>126528</b>	F4B-SC-104-NL
	1-5/16	<b>124219</b>	F4B-SC-105	@	F4B-SC-105-NL
	1-3/8	<b>124207</b>	F4B-SC-106	<b>052009</b>	F4B-SC-106-NL
	1-7/16	<b>124208</b>	F4B-SC-107	<b>050835</b>	F4B-SC-107-NL
	35mm	<b>125889</b>	F4B-SC-35M	@	F4B-SC-35M-NL

@ Assembled to order

FEATURES/BENEFITS PAGE B4-3	HOW TO ORDER/NOMENCLATURE PAGE B4-5	SELECTION PAGE B4-6	ACCESSORIES PAGE B4-98
--------------------------------	--	------------------------	---------------------------

# SELECTION/DIMENSIONS



## Setscrew Ball Bearings SC NORMAL DUTY 4-BOLT FLANGE BEARINGS

Bearing Reference Guide  
ULTRA KLEEN  
E-Z KLEEN  
Extreme Duty  
Setscrew Ball Bearing  
GRIP TIGHT  
D-LOK Ball Bearing

Series	Shaft Size	Weight lbs. kgs.	A	B	C	D	F	H	J	L	N
203	1/2	1.1	1.00	3.00	1.17	2.13	3/8	0.44	0.32	0.96	1.69
	5/8	1.0									
	17mm	0.5	25.4	76.2	29.7	54.0	M10	11.2	8.1	24.4	42.9
204	1/2	1.8	1.23	3.38	1.34	2.5	3/8	0.44	0.36	1.12	1.94
	5/8	1.7									
	3/4	1.6									
	13/16	1.5									
	20mm	0.8	31.2	85.9	34.0	63.5	M10	11.2	9.1	28.4	49.3
205	7/8	2.0	1.34	3.75	1.37	2.75	7/16	0.50	0.42	1.32	2.06
	15/16	1.9									
	1	1.8									
	25mm	0.9	34.0	95.3	34.8	69.9	M10	12.7	10.7	33.5	52.3
206	1-1/16	2.9	1.52	4.25	1.56	3.25	7/16	0.50	0.49	1.57	2.19
	1-1/8	2.8									
	1-3/16	2.7									
	1-1/4	2.6									
	30mm	1.3	38.6	108.0	39.6	82.6	M10	12.7	12.4	39.9	55.6
207	1-1/4	4.0	1.71	4.75	1.75	3.63	1/2	0.56	0.53	1.84	2.44
	1-5/16	3.9									
	1-3/8	3.8									
	1-7/16	3.7									
	35mm	1.7	43.4	120.7	44.5	92.1	M12	14.2	13.5	46.7	62.0

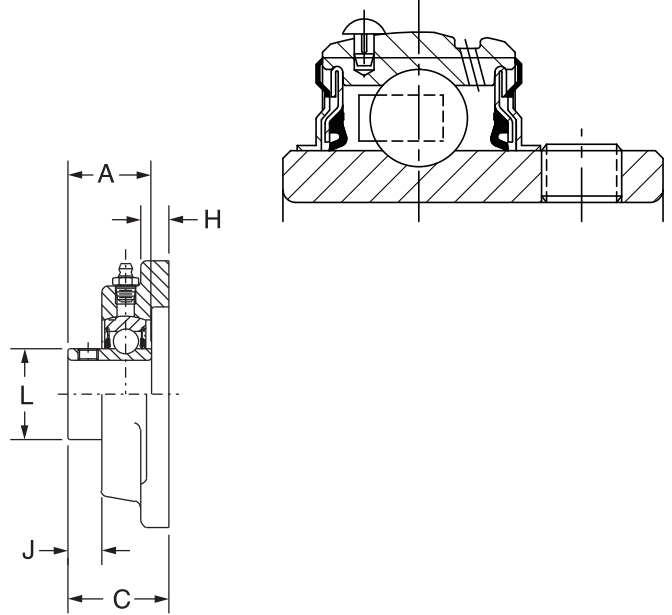
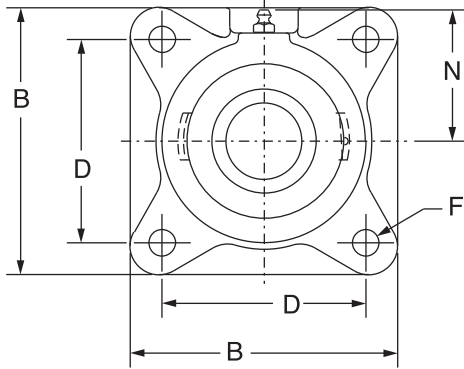
FEATURES/BENEFITS PAGE B4-3	HOW TO ORDER/NOMENCLATURE PAGE B4-5	SELECTION PAGE B4-6	ACCESSORIES PAGE B4-98
--------------------------------	--	------------------------	---------------------------



# SELECTION/DIMENSIONS

## Setscrew Ball Bearings SC NORMAL DUTY 4-BOLT FLANGE BEARINGS

**Lube Fitting Thread Size:**  
 203 - 204 series - 1/4-28 tapered thread  
 207 - 207 series - 1/8-27 NPT



Series	Shaft Size	Standard		No-Lube/Sealed for Life (-NL)	
		Part No.	Description	Part No.	Description
208	1-1/2	<b>124209</b>	F4B-SC-108	<b>051991</b>	F4B-SC-108-NL
	1-5/8	<b>124210</b>	F4B-SC-110	<b>052008</b>	F4B-SC-110-NL
	40mm	<b>125890</b>	F4B-SC-40M	<b>073769</b>	F4B-SC-40M-NL
209	1-5/8	<b>125170</b>	F4B-SC-110L	@	F4B-SC-110L-NL
	1-11/16	<b>124211</b>	F4B-SC-111	<b>064214</b>	F4B-SC-111-NL
	1-3/4	<b>124212</b>	F4B-SC-112	<b>126531</b>	F4B-SC-112-NL
	45mm	<b>125891</b>	F4B-SC-45M	@	F4B-SC-45M-NL
210	1-15/16	<b>124213</b>	F4B-SC-115	<b>051992</b>	F4B-SC-115-NL
	2	<b>124214</b>	F4B-SC-200	<b>050867</b>	F4B-SC-200-NL
	50mm	<b>125892</b>	F4B-SC-50M	<b>068571</b>	F4B-SC-50M-NL
211	2	<b>126192</b>	F4B-SCM-200	<b>052004</b>	F4B-SCM-200-NL
	2-3/16	<b>124215</b>	F4B-SC-203	<b>052007</b>	F4B-SC-203-NL
	2-1/4	<b>124216</b>	F4B-SC-204	<b>052006</b>	F4B-SC-204-NL
	55mm	<b>125893</b>	F4B-SC-55M	<b>068572</b>	F4B-SC-55M-NL
212	2-1/4	<b>126283</b>	F4B-SCM-204	<b>126537</b>	F4B-SCM-204-NL
	2-7/16	<b>124217</b>	F4B-SC-207	<b>050843</b>	F4B-SC-207-NL
	60mm	<b>125894</b>	F4B-SC-60M	<b>064203</b>	F4B-SC-60M-NL
214	2-1/2	<b>126195</b>	F4B-SCM-208	@	F4B-SCM-208-NL
	2-11/16	<b>124261</b>	F4B-SC-211	@	F4B-SC-211-NL
	70mm	<b>125895</b>	F4B-SC-70M	@	F4B-SC-70M-NL
215	2-15/16	<b>124220</b>	F4B-SC-215	<b>052291</b>	F4B-SC-215-NL
	75mm	<b>125896</b>	F4B-SC-75M	<b>068573</b>	F4B-SC-75M-NL

@ Assembled to order

FEATURES/BENEFITS PAGE B4-3	HOW TO ORDER/NOMENCLATURE PAGE B4-5	SELECTION PAGE B4-6	ACCESSORIES PAGE B4-98
--------------------------------	--	------------------------	---------------------------

# SELECTION/DIMENSIONS



## Setscrew Ball Bearings SC NORMAL DUTY 4-BOLT FLANGE BEARINGS

Bearing Reference Guide

ULTRA KLEEN

E-Z KLEEN

Extreme Duty

Setscrew Ball Bearing

GRIP TIGHT

D-LOK Ball Bearing

Series	Shaft Size	Weight lbs. kgs.	A	B	C	D	F Bolt Dia	H	J	L	N
208	1-1/2	4.8	1.94	5.13	1.98	4.00	1/2	0.56	0.63	2.05	2.38
	1-5/8	4.7									
	40mm	2.1	49.3	130.3	50.3	101.6	M12	14.2	16.0	52.1	60.5
209	1-5/8	6.1	1.94	5.38	1.99	4.13	1/2	0.63	0.59	2.22	2.75
	1-11/16	6.0									
	1-3/4 45mm	5.9 2.7	49.3	136.7	50.5	104.8	M12	16.0	15.0	56.4	69.9
210	1-15/16	6.7	1.94	5.63	2.02	4.38	1/2	0.63	0.55	2.43	2.88
	2	6.6									
	50mm	3.0	49.3	143.0	51.3	111.1	M12	16.0	14.0	61.7	73.2
211	2	9.3	2.22	6.50	2.28	5.13	5/8	0.69	0.68	2.71	3.25
	2-3/16	9.0									
	2-1/4 55mm	8.9 4.1	56.4	165.1	57.9	130.2	M16	17.5	17.3	68.8	82.6
212	2-1/4	11.1	2.31	6.88	2.38	5.63	5/8	0.69	0.66	2.97	3.50
	2-7/16	10.6									
	60mm	6.0	58.7	174.8	60.5	142.9	M16	17.5	16.8	75.4	88.9
214	2-1/2	16.0	2.54	7.38	2.78	5.88	5/8	0.69	0.60	3.31	3.69
	2-11/16	15.4									
	70mm	6.9	64.5	187.5	70.6	149.2	M16	17.5	15.2	84.1	93.7
215	2-15/16	17.6	2.33	7.75	2.88	6.00	3/4	1.00	0.63	3.62	3.88
	75mm	8.0	59.2	196.9	73.2	152.4	M18	25.4	16.0	91.9	98.6

FEATURES/BENEFITS PAGE B4-3	HOW TO ORDER/NOMENCLATURE PAGE B4-5	SELECTION PAGE B4-6	ACCESSORIES PAGE B4-98
--------------------------------	--	------------------------	---------------------------