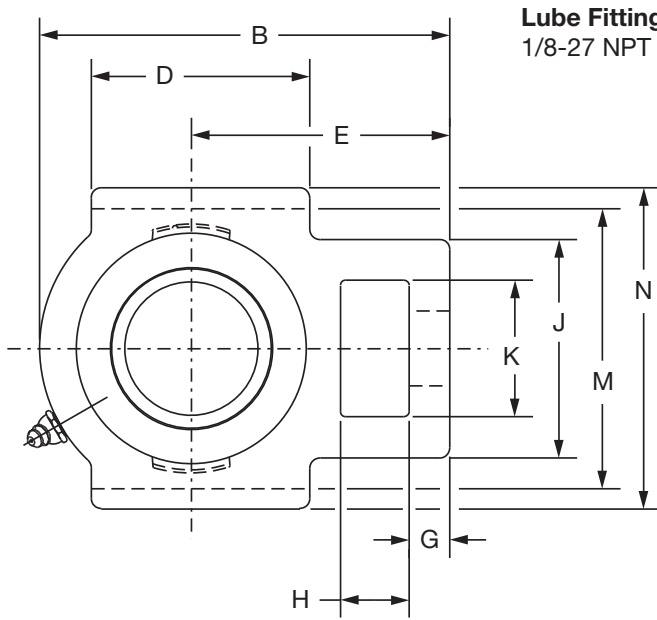
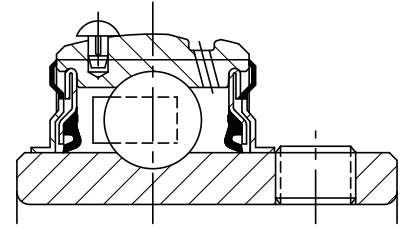


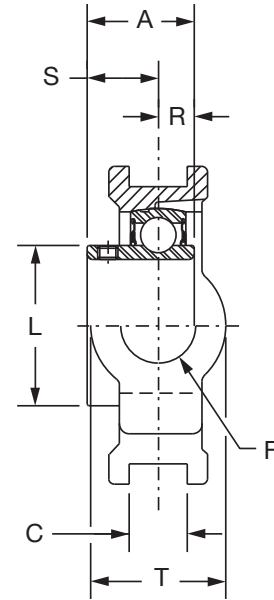
# SELECTION/DIMENSIONS



## Setscrew Ball Bearings SCM MEDIUM DUTY WIDE SLOT TAKE-UP BEARINGS



**Lube Fitting Thread Size:**  
1/8-27 NPT



| Series | Shaft Size    | Part No.                       | Description                  |
|--------|---------------|--------------------------------|------------------------------|
| 206    | 1             | <b>135117</b>                  | WSTU-SCM-100                 |
|        | 25mm          | <b>125989</b>                  | WSTU-SCM-25M                 |
| 207    | 1-3/16        | <b>135118</b>                  | WSTU-SCM-103                 |
|        | 1-1/4<br>30mm | <b>125360</b><br><b>125990</b> | WSTU-SC-104<br>WSTU-SCM-30M  |
| 208    | 1-7/16        | <b>135116</b>                  | WSTU-SCM-107                 |
|        | 35mm          | <b>125991</b>                  | WSTU-SCM-35M                 |
| 209    | 1-1/2         | <b>135120</b>                  | WSTU-SCM-108                 |
|        | 40mm          | <b>125992</b>                  | WSTU-SCM-40M                 |
| 210    | 1-11/16       | <b>135121</b>                  | WSTU-SCM-111                 |
|        | 1-3/4<br>45mm | <b>135182</b><br><b>125993</b> | WSTU-SCM-112<br>WSTU-SCM-45M |

# SELECTION/DIMENSIONS



## Setscrew Ball Bearings SCM MEDIUM DUTY WIDE SLOT TAKE-UP BEARINGS

Bearing Reference Guide

ULTRA KLEEN

E-Z KLEEN

Extreme Duty

Setscrew Ball Bearing

GRIP TIGHT

D-LOK Ball Bearing

| Series | Shaft Size    | Weight lbs. kgs. | Take-Up Frame No. Ref. | A    | B     | C     | D    | E    | F Screw Dia. | G    |
|--------|---------------|------------------|------------------------|------|-------|-------|------|------|--------------|------|
| 206    | 1             | 2.9              | WS308                  | 1.52 | 4.38  | 0.531 | 2.25 | 2.75 | 3/4          | 0.38 |
|        | 25mm          | 1.4              |                        | 38.6 | 111.3 | 13.49 | 57.2 | 69.9 | 19.1         | 9.7  |
| 207    | 1-3/16        | 3.9              | WS308                  | 1.71 | 4.87  | 0.531 | 2.50 | 3.06 | 3/4          | 0.50 |
|        | 1-1/4<br>30mm | 3.8<br>1.7       |                        | 43.4 | 123.7 | 13.49 | 63.5 | 77.7 | 19.1         | 12.7 |
| 208    | 1-7/16        | 6.1              | WS400                  | 1.94 | 5.69  | 0.688 | 3.25 | 3.50 | 1            | 0.63 |
|        | 35mm          | 2.9              |                        | 49.3 | 144.5 | 17.48 | 82.6 | 88.9 | 25.4         | 16.0 |
| 209    | 1-1/2         | 6.0              | WS400                  | 1.94 | 5.63  | 0.688 | 3.25 | 3.44 | 1            | 0.63 |
|        | 40mm          | 2.8              |                        | 49.3 | 143.0 | 17.48 | 82.6 | 87.4 | 25.4         | 16.0 |
| 210    | 1-11/16       | 6.4              | WS400                  | 1.94 | 5.82  | 0.688 | 3.38 | 3.56 | 1            | 0.63 |
|        | 1-3/4<br>45mm | 6.4<br>3.0       |                        | 49.3 | 147.8 | 17.48 | 85.9 | 90.4 | 25.4         | 16.0 |

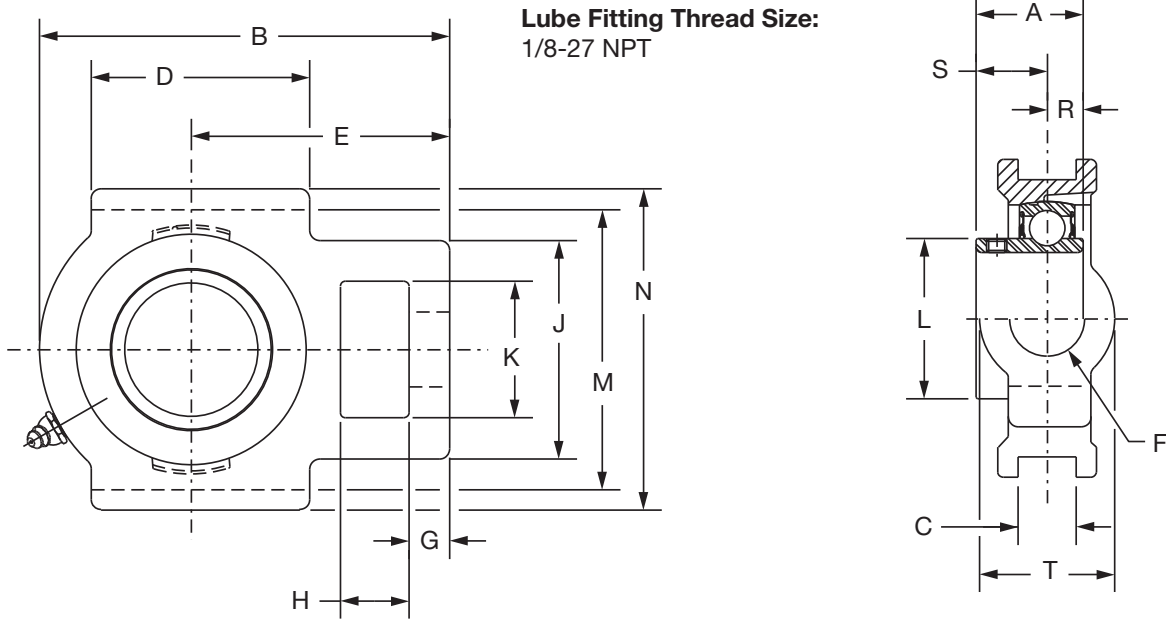
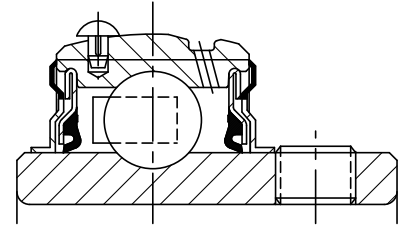
| Series | Shaft Size    | H    | J    | K    | L    | M             | N     | R    | S    | T    |
|--------|---------------|------|------|------|------|---------------|-------|------|------|------|
| 206    | 1             | 0.63 | 2.19 | 1.44 | 1.57 | 3.480/3.510   | 4.13  | 0.58 | 0.94 | 1.63 |
|        | 25mm          | 16.0 | 55.6 | 36.6 | 39.9 | 88.39/89.15   | 104.9 | 14.7 | 23.9 | 41.3 |
| 207    | 1-3/16        | 0.63 | 2.50 | 1.44 | 1.84 | 3.480/3.510   | 4.13  | 0.67 | 1.04 | 1.63 |
|        | 1-1/4<br>30mm | 16.0 | 63.5 | 36.6 | 46.7 | 88.39/89.15   | 104.9 | 17.0 | 26.4 | 41.3 |
| 208    | 1-7/16        | 0.75 | 3.25 | 1.94 | 2.05 | 3.985/4.015   | 4.50  | 0.75 | 1.19 | 1.94 |
|        | 35mm          | 19.1 | 82.6 | 49.3 | 52.1 | 101.22/101.98 | 114.3 | 19.1 | 30.2 | 49.3 |
| 209    | 1-1/2         | 0.75 | 3.25 | 1.94 | 2.22 | 3.985/4.015   | 4.75  | 0.75 | 1.19 | 1.94 |
|        | 40mm          | 19.1 | 82.6 | 49.3 | 56.4 | 101.22/101.98 | 120.7 | 19.1 | 30.2 | 49.3 |
| 210    | 1-11/16       | 0.75 | 3.25 | 1.94 | 2.43 | 3.985/4.015   | 4.75  | 0.75 | 1.19 | 1.94 |
|        | 1-3/4<br>45mm | 19.1 | 82.6 | 49.3 | 61.7 | 101.22/101.98 | 120.7 | 19.1 | 30.2 | 49.3 |

|                                |  |                        |                           |
|--------------------------------|--|------------------------|---------------------------|
| FEATURES/BENEFITS<br>PAGE B4-3 | HOW TO ORDER/NOMENCLATURE<br>PAGE B4-5 | SELECTION<br>PAGE B4-6 | ACCESSORIES<br>PAGE B4-98 |
|--------------------------------|--|------------------------|---------------------------|



# SELECTION/DIMENSIONS

## Setscrew Ball Bearings SCM MEDIUM DUTY WIDE SLOT TAKE-UP BEARINGS



| Series | Shaft Size | Part No.      | Description  |
|--------|------------|---------------|--------------|
| 211    | 1-15/16    | <b>135123</b> | WSTU-SCM-115 |
|        | 2          | <b>135183</b> | WSTU-SCM-200 |
|        | 50mm       | <b>125994</b> | WSTU-SCM-50M |
| 212    | 2-3/16     | <b>135125</b> | WSTU-SCM-203 |
|        | 2-1/4      | <b>135184</b> | WSTU-SCM-204 |
|        | 55mm       | <b>125995</b> | WSTU-SCM-55M |
| 214    | 2-7/16     | <b>135127</b> | WSTU-SCM-207 |
|        | 2-1/2      | <b>135185</b> | WSTU-SCM-208 |
|        | 65mm       | <b>125996</b> | WSTU-SCM-65M |
| 215    | 2-11/16    | <b>135129</b> | WSTU-SCM-211 |
|        | 70mm       | <b>125997</b> | WSTU-SCM-70M |
| 216    | 2-15/16    | <b>135130</b> | WSTU-SCM-215 |
|        | 3          | <b>135181</b> | WSTU-SCM-300 |
|        | 75mm       | <b>125998</b> | WSTU-SCM-75M |

# SELECTION/DIMENSIONS



## Setscrew Ball Bearings SCM MEDIUM DUTY WIDE SLOT TAKE-UP BEARINGS

Bearing Reference Guide

ULTRA KLEEN

E-Z KLEEN

Extreme Duty

Setscrew Ball Bearing

GRIP TIGHT

D-LOK Ball Bearing

| Series | Shaft Size | Weight lbs. kgs. | Take-up Frame No. Ref | A    | B     | C     | D     | E     | F Screw Dai. | G    |
|--------|------------|------------------|-----------------------|------|-------|-------|-------|-------|--------------|------|
| 211    | 1-15/16    | 10.1             | WS502                 | 2.22 | 6.69  | 1.063 | 3.75  | 4.19  | 1-1/4        | 0.75 |
|        | 2          | 10.2             |                       | 56.4 | 169.9 | 27.00 | 95.3  | 106.4 | 31.8         | 19.1 |
|        | 50mm       | 4.7              |                       |      |       |       |       |       |              |      |
| 212    | 2-3/16     | 11.4             | WS502                 | 2.31 | 7.50  | 1.063 | 4.00  | 4.69  | 1-1/4        | 0.75 |
|        | 2-1/4      | 11.2             |                       | 58.7 | 190.5 | 27.00 | 101.6 | 119.1 | 31.8         | 19.1 |
|        | 55mm       | 5.1              |                       |      |       |       |       |       |              |      |
| 214    | 2-7/16     | 18.2             | WS515                 | 2.54 | 8.56  | 1.063 | 4.75  | 5.38  | 1-1/2        | 0.81 |
|        | 2-1/2      | 18.0             |                       | 64.5 | 217.4 | 27.0  | 120.7 | 136.7 | 38.1         | 20.6 |
|        | 65mm       | 8.1              |                       |      |       |       |       |       |              |      |
| 215    | 2-11/16    | 19.0             | WS515                 | 2.33 | 9.13  | 1.063 | 4.75  | 5.50  | 1-1/2        | 0.81 |
|        | 70mm       | 8.9              |                       | 59.2 | 231.9 | 27.00 | 120.7 | 139.7 | 38.1         | 20.6 |
|        |            |                  |                       |      |       |       |       |       |              |      |
| 216    | 2-15/16    | 21.7             | WS608                 | 2.38 | 9.13  | 1.063 | 4.75  | 2.38  | 1-1/2        | 0.81 |
|        | 3          | 21.5             |                       | 60.5 | 231.6 | 27.00 | 120.7 | 60.5  | 38.1         | 20.6 |
|        | 75mm       | 9.5              |                       |      |       |       |       |       |              |      |

| Series | Shaft Size | H    | J     | K    | L    | M             | N     | R    | S    | T    |
|--------|------------|------|-------|------|------|---------------|-------|------|------|------|
| 211    | 1-15/16    | 1.00 | 4.00  | 2.50 | 2.71 | 5.110/5.140   | 5.88  | 0.87 | 1.35 | 2.50 |
|        | 2          |      |       |      |      |               |       |      |      |      |
|        | 50mm       | 25.4 | 101.6 | 63.5 | 68.8 | 129.79/130.56 | 149.4 | 22.1 | 34.3 | 63.5 |
| 212    | 2-3/16     | 1.25 | 4.00  | 2.50 | 2.97 | 5.110/5.140   | 5.88  | 0.90 | 1.41 | 2.50 |
|        | 2-1/4      |      |       |      |      |               |       |      |      |      |
|        | 55mm       | 31.8 | 101.6 | 63.5 | 75.4 | 129.79/130.56 | 149.4 | 22.9 | 35.8 | 63.5 |
| 214    | 2-7/16     | 1.25 | 4.38  | 2.75 | 3.31 | 5.923/5.953   | 6.56  | 1.06 | 1.48 | 2.75 |
|        | 2-1/2      |      |       |      |      |               |       |      |      |      |
|        | 65mm       | 31.8 | 111.3 | 69.9 | 84.1 | 150.44/151.21 | 166.6 | 26.9 | 37.6 | 69.9 |
| 215    | 2-11/16    | 1.25 | 4.38  | 2.75 | 3.62 | 5.923/5.953   | 6.69  | 0.86 | 1.47 | 2.75 |
|        | 70mm       |      |       |      |      |               |       |      |      |      |
|        |            | 31.8 | 111.3 | 69.9 | 91.9 | 150.44/151.21 | 169.9 | 21.8 | 37.3 | 69.9 |
| 216    | 2-15/16    | 1.25 | 4.38  | 2.75 | 3.83 | 6.485/6.515   | 7.25  | 0.88 | 1.50 | 2.75 |
|        | 3          |      |       |      |      |               |       |      |      |      |
|        | 75mm       | 31.8 | 111.3 | 69.9 | 97.3 | 164.72/165.48 | 184.2 | 22.4 | 38.1 | 69.9 |

|                                |  |                        |                           |
|--------------------------------|--|------------------------|---------------------------|
| FEATURES/BENEFITS<br>PAGE B4-3 | HOW TO ORDER/NOMENCLATURE<br>PAGE B4-5 | SELECTION<br>PAGE B4-6 | ACCESSORIES<br>PAGE B4-98 |
|--------------------------------|--|------------------------|---------------------------|