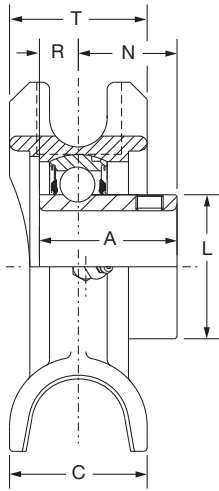


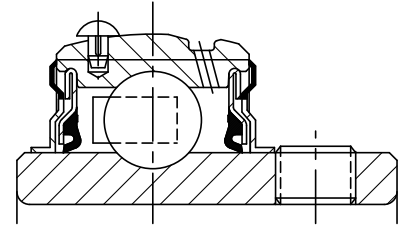
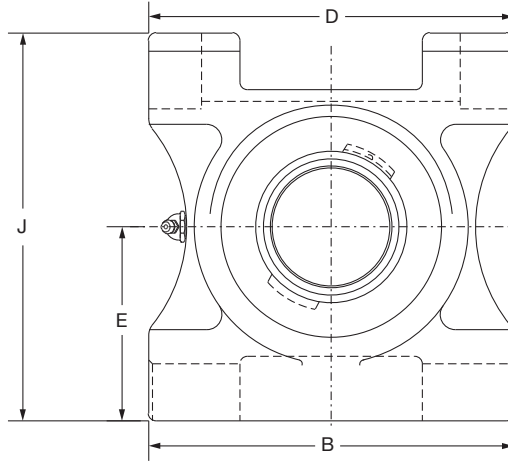
SELECTION/DIMENSIONS



Setscrew Ball Bearings TYPE G NORMAL DUTY TOP ANGLE TAKE-UP BEARINGS



Lube Fitting Thread Size:
1/8-27 NPT



| Series | Shaft Size | Part No. | Description |
|--------|------------|---------------|-------------|
| 210 | 1-15/16 | 012340 | TP-G-115 |
| | 2 | 012302 | TP-G-200 |
| 211 | 2 | 136081 | TP-GM-200 |
| | 2-3/16 | 012341 | TP-G-203 |
| | 2-1/4 | 012303 | TP-G-204 |
| 212 | 2-1/4 | 136082 | TP-GM-204 |
| | 2-7/16 | 012342 | TP-G-207 |
| 214 | 2-1/2 | 136083 | TP-GM-208 |
| | 2-11/15 | @ | TP-G-211 |
| 215 | 2-15/16 | 012343 | TP-G-215 |

@ Assembled to order

| Series | Shaft Size | Weight lbs. | Frame Size | A | B | C | D | E | J | L | N | R | T |
|--------|------------|-------------|------------|------|------|------|------|------|------|------|------|------|------|
| 210 | 1-15/16 | 10.2 | TP10 | 1.94 | 6.50 | 2.38 | 6.00 | 3.25 | 6.38 | 2.43 | 1.19 | 0.75 | 2.38 |
| | 2 | 10.0 | | | | | | | | | | | |
| 211 | 2 | 12.5 | TP20 | 2.22 | 7.00 | 2.50 | 6.75 | 3.38 | 7.88 | 2.71 | 1.35 | 0.87 | 2.38 |
| | 2-3/16 | 12.4 | | | | | | | | | | | |
| | 2-1/4 | 1.02 | | | | | | | | | | | |
| 212 | 2-1/4 | 16.0 | TP30 | 2.31 | 7.50 | 2.75 | 7.00 | 3.50 | 7.44 | 2.97 | 1.41 | 0.90 | 2.75 |
| | 2-7/16 | 15.9 | | | | | | | | | | | |
| 214 | 2-1/2 | 21.3 | TP40 | 2.54 | 8.50 | 2.50 | 8.00 | 4.00 | 8.31 | 3.31 | 1.38 | 1.16 | 2.75 |
| | 2-11/15 | 21.1 | | | | | | | | | | | |
| 215 | 2-15/16 | 21.2 | TP40 | 2.33 | 8.50 | 2.50 | 8.00 | 4.00 | 8.31 | 3.62 | 1.37 | 0.96 | 2.75 |

| | | | |
|--------------------------------|--|------------------------|---------------------------|
| FEATURES/BENEFITS PAGE B4-3 | HOW TO ORDER/NOMENCLATURE PAGE B4-5 | SELECTION PAGE B4-6 | ACCESSORIES PAGE B4-98 |
|--------------------------------|--|------------------------|---------------------------|