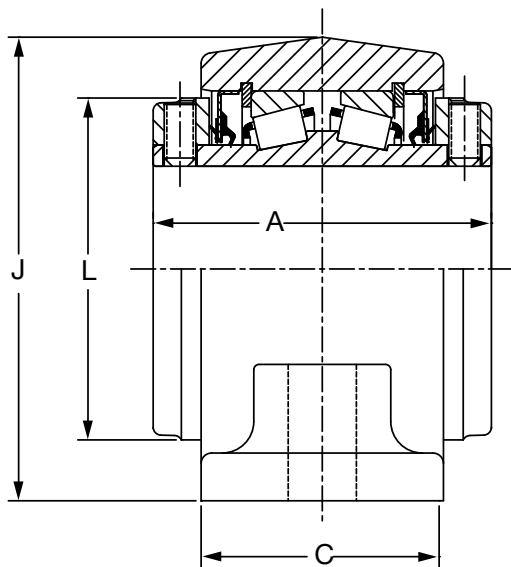
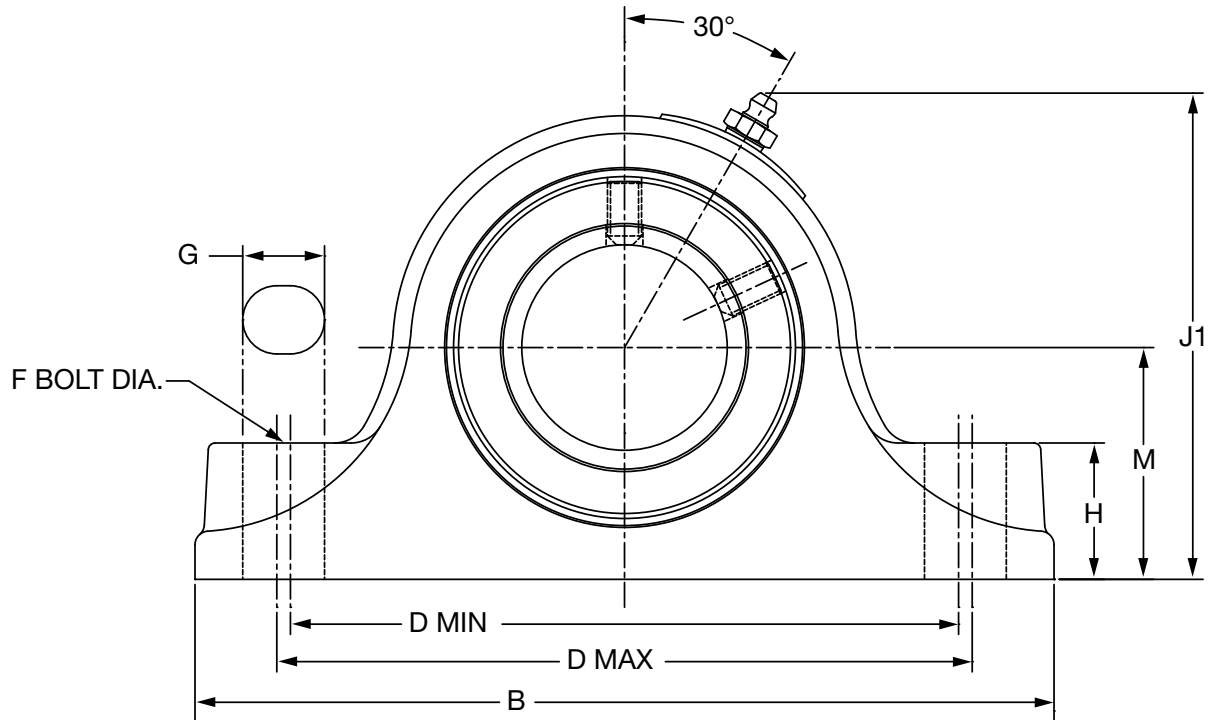


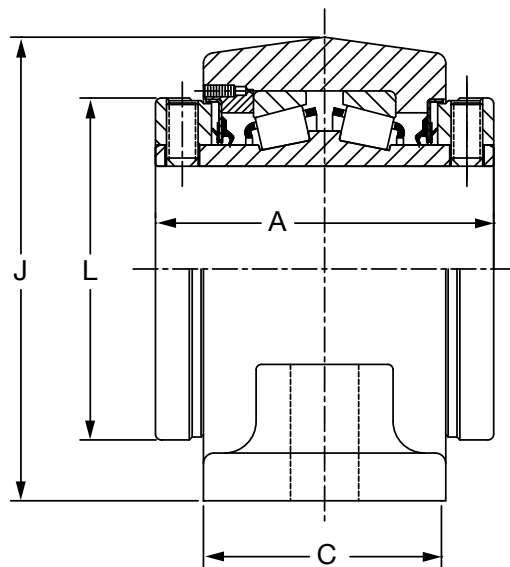
SELECTION/DIMENSIONS



Type E-Xtra Pillow Block - Inch 2-BOLT BASE



1-3/16" THRU 3" CONSTRUCTION



3-3/16" THRU 3-12" CONSTRUCTION

FEATURES/BENEFITS PAGE B10-2	HOW TO ORDER/NOMENCLATURE PAGE B10-9	EASY SELECTION PAGE B10-15	ACCESSORIES PAGE B10-64
---------------------------------	---	-------------------------------	----------------------------

SELECTION/DIMENSIONS



Type E-Xtra Pillow Block - Inch 2-BOLT BASE

Gray Iron				Cast Steel			
Shaft Size Inches #	Part Number	Part Name	Weight Lbs (Approx)	Shaft Size Inches #	Part Number	Part Name	Weight Lbs
1-3/16	023000	P2B-E-103R	4	1-3/16	023047	SP2B-E-103R	4
1-1/4	023001	P2B-E-104R	4	1-1/4	023048	SP2B-E-104R	4
1-3/8	023002	P2B-E-106R	7	1-3/8	023049	SP2B-E-106R	7
1-7/16	023003	P2B-E-107R	7	1-7/16	023050	SP2B-E-107R	7
1-1/2	023004	P2B-E-108R	10	1-1/2	023051	SP2B-E-108R	10
1-5/8	023005	P2B-E-110R	10	1-5/8	023052	SP2B-E-110R	10
1-11/16	023006	P2B-E-111R	10	1-11/16	023053	SP2B-E-111R	10
1-3/4	023007	P2B-E-112R	12	1-3/4	023054	SP2B-E-112R	11
1-7/8	023008	P2B-E-114R	12	1-7/8	023055	SP2B-E-114R	11
1-15/16	023009	P2B-E-115R	12	1-15/16	023056	SP2B-E-115R	11
2	023010	P2B-E-200R	12	2	023057	SP2B-E-200R	11
2-3/16	023011	P2B-E-203R	15	2-3/16	023058	SP2B-E-203R	14
2-1/4	023012	P2B-E-204R	21	2-1/4	023059	SP2B-E-204R	19
2-7/16	023013	P2B-E-207R	20	2-7/16	023060	SP2B-E-207R	19
2-1/2	023014	P2B-E-208R	20	2-1/2	023061	SP2B-E-208R	19
2-11/16	023015	P2B-E-211R	29	2-11/16	023062	SP2B-E-211R	26
2-3/4	023016	P2B-E-212R	28	2-3/4	023063	SP2B-E-212R	26
2-15/16	023017	P2B-E-215R	27	2-15/16	023064	SP2B-E-215R	26
3	023018	P2B-E-300R	27	3	023065	SP2B-E-300R	26
3-3/16	023019	P2B-E-303R	48	3-3/16	023066	SP2B-E-303R	44
3-1/4	023020	P2B-E-304R	47	3-1/4	023067	SP2B-E-304R	44
3-7/16	023021	P2B-E-307R	46	3-7/16	023068	SP2B-E-307R	44
3-1/2	023022	P2B-E-308R	45	3-1/2	023069	SP2B-E-308R	44

Consult DODGE For Sizes Not Listed

Consult DODGE For Sizes Not Listed

Shaft Size (Inches)	A	B	C	D		F Bolt Dia	G	H	J	J1	L	M
				Min	Max							
1-3/16 1-1/4	2.75	6.00	1.88	4.75	4.81	1/2	0.59	0.88	3.00	3.28	2.25	1.50
1-3/8 1-7/16	3.00	7.38	2.13	5.63	5.88	1/2	0.75	1.13	3.75	4.00	2.75	1.88
1-1/2 1-5/8 1-11/16	3.38	7.88	2.38	6.13	6.38	1/2	0.75	1.25	4.25	4.47	3.19	2.13
1-3/4 1-7/8 1-15/16 2	3.50	8.88	2.50	6.88	7.13	5/8	0.88	1.31	4.50	4.69	3.44	2.25
2-3/16 2-1/4	3.75	9.63	2.63	7.63	7.88	5/8	0.88	1.50	5.00	5.17	3.75	2.50
2-7/16 2-1/2	4.00	10.50	2.88	8.38	8.63	5/8	0.88	1.63	5.50	5.63	4.06	2.75
2-11/16 2-3/4 2-15/16 3	4.50	12.00	3.00	9.31	9.69	3/4	1.00	1.88	6.25	6.34	4.72	3.13
3-3/16 3-1/4 3-7/16 3-1/2	5.00	14.00	3.50	10.81	11.19	7/8	1.19	2.25	7.50	7.50	5.50	3.75

NOTE: All sizes use a 1/8-27 NPT hydraulic grease fitting

FEATURES/BENEFITS PAGE B10-2	HOW TO ORDER/NOMENCLATURE PAGE B10-9	EASY SELECTION PAGE B10-15	ACCESSORIES PAGE B10-64
---------------------------------	---	-------------------------------	----------------------------

Bearing Reference Guide
 E-Family Roller Bearings
 Specialty Tapered Products
 S-2000
 UNISPHERE II
 IMPERIAL
 UNIFIED SAF