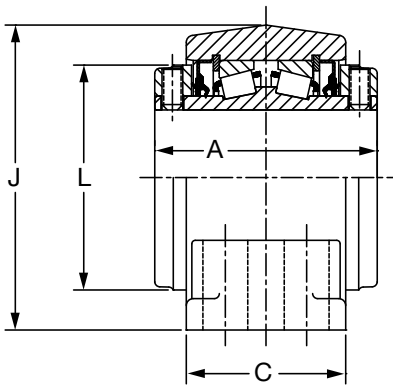
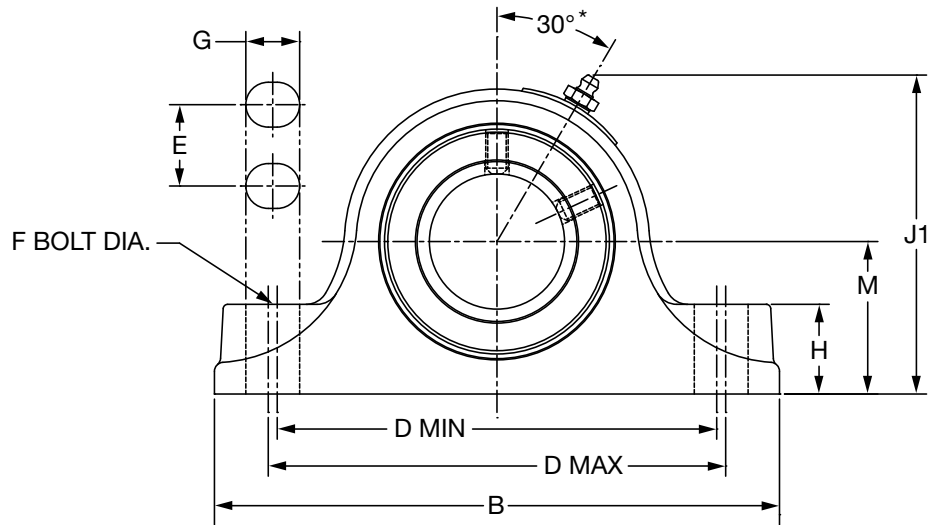


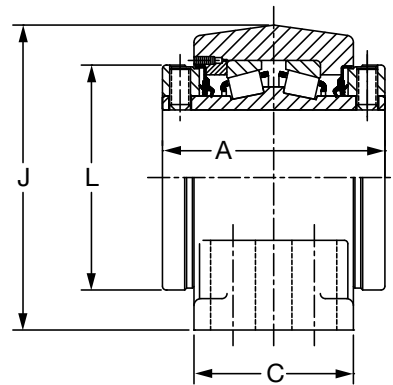
SELECTION/DIMENSIONS



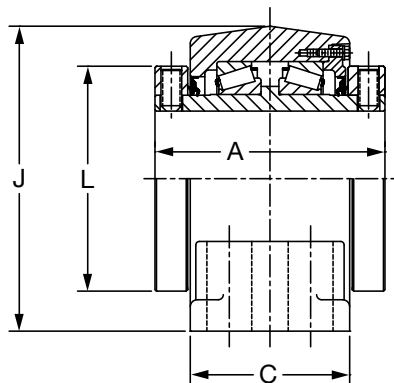
Type E-Xtra Pillow Block - Inch 4-BOLT BASE



2-1/4" THRU 3" CONSTRUCTION



3-3/16" THRU 5" CONSTRUCTION



5-7/16" THRU 7" CONSTRUCTION

FEATURES/BENEFITS PAGE B10-2	HOW TO ORDER/NOMENCLATURE PAGE B10-9	EASY SELECTION PAGE B10-15	ACCESSORIES PAGE B10-64
---------------------------------	---	-------------------------------	----------------------------

SELECTION/DIMENSIONS



Type E-Xtra Pillow Block - Inch 4-BOLT BASE

Gray Iron				Cast Steel			
Shaft Size Inches #	Part Number	Part Name	Weight Lbs (Approx)	Shaft Size Inches #	Part Number	Part Name	Weight Lbs
2-1/4	023023	P4B-E-204R	20	2-1/4	-----	-----	-----
2-7/16	023024	P4B-E-207R	20	2-7/16	-----	-----	-----
2-1/2	023025	P4B-E-208R	19	2-1/2	-----	-----	-----
2-11/16	023026	P4B-E-211R	30	2-11/16	-----	-----	-----
2-3/4	023027	P4B-E-212R	28	2-3/4	-----	-----	-----
2-15/16	023028	P4B-E-215R	28	2-15/16	-----	-----	-----
3	023029	P4B-E-300R	28	3	-----	-----	-----
3-3/16	023030	P4B-E-303R	47	3-3/16	-----	-----	-----
3-1/4	023031	P4B-E-304R	47	3-1/4	-----	-----	-----
3-7/16	023032	P4B-E-307R	46	3-7/16	-----	-----	-----
3-1/2	023033	P4B-E-308R	45	3-1/2	-----	-----	-----
3-15/16	023690	P4B-E-315R	69	3-15/16	023070	SP4B-E-315R	65
4	023691	P4B-E-400R	69	4	023071	SP4B-E-400R	65
4-7/16	023692	P4B-E-407R	85	4-7/16	023072	SP4B-E-407R	81
4-1/2	023693	P4B-E-408R	85	4-1/2	023073	SP4B-E-408R	81
4-15/16	023694	P4B-E-415R	134	4-15/16	023074	SP4B-E-415R	132
5	023695	P4B-E-500R	133	5	023075	SP4B-E-500R	132
5-7/16	023040	P4B-E-507R	230	5-7/16	-----	-----	-----
5-15/16	023041	P4B-E-515R	250	5-15/16	-----	-----	-----
6	023042	P4B-E-600R	245	6	-----	-----	-----
6-7/16	023043	P4B-E-607R	356	6-7/16	-----	-----	-----
6-1/2	023044	P4B-E-608R	350	6-1/2	-----	-----	-----
6-15/16	023045	P4B-E-615R	340	6-15/16	-----	-----	-----
7	023046	P4B-E-700R	335	7	-----	-----	-----

Consult DODGE For Sizes Not Listed

Consult DODGE For Sizes Not Listed

Shaft Size Inches	A	B	C*	D		E	F Bolt Dia	G	H	J1	J	L	M
				Min	Max								
2-1/4	4.00	10.50	3.50	8.31	8.69	1.88	5/8	0.88	1.63	5.50	5.63	4.06	2.75
2-7/16													
2-1/2													
2-11/16	4.50	12.00	4.00	9.19	9.81	2.13	5/8	1.00	1.88	6.25	6.34	4.72	3.13
2-3/4													
2-15/16													
3													
3-3/16	5.00	13.50	4.50	10.75	11.25	2.38	3/4	1.19	2.25	7.50	7.50	5.50	3.75
3-1/4													
3-7/16													
3-1/2													
3-15/16	6.25	15.25	4.50	12.25	12.75	2.25	3/4	1.13	2.44	8.50	8.44	6.00	4.25
4													
4-7/16	6.75	16.63	4.63	13.25	13.75	2.50	3/4	1.13	2.75	9.38	9.28	6.45	4.75
4-1/2													
4-15/16	7.25	18.50	5.13	15.25	15.75	2.88	7/8	1.25	3.00	10.88	10.69	7.45	5.50
5													
5-7/16	9.00	22.00	6.25	17.38	19.13	3.75	1	2.00	3.25	13.19	----	9.38	6.69
5-15/16													
6													
6-7/16	10.50	26.00	7.13	21.25	23.25	4.63	1	2.00	3.69	14.94	----	11.38	7.50
6-1/2													
6-15/16													
7													

NOTE: All sizes use a 1/8-27 NPT hydraulic grease fitting

FEATURES/BENEFITS PAGE B10-2	HOW TO ORDER/NOMENCLATURE PAGE B10-9	EASY SELECTION PAGE B10-15	ACCESSORIES PAGE B10-64
---------------------------------	---	-------------------------------	----------------------------