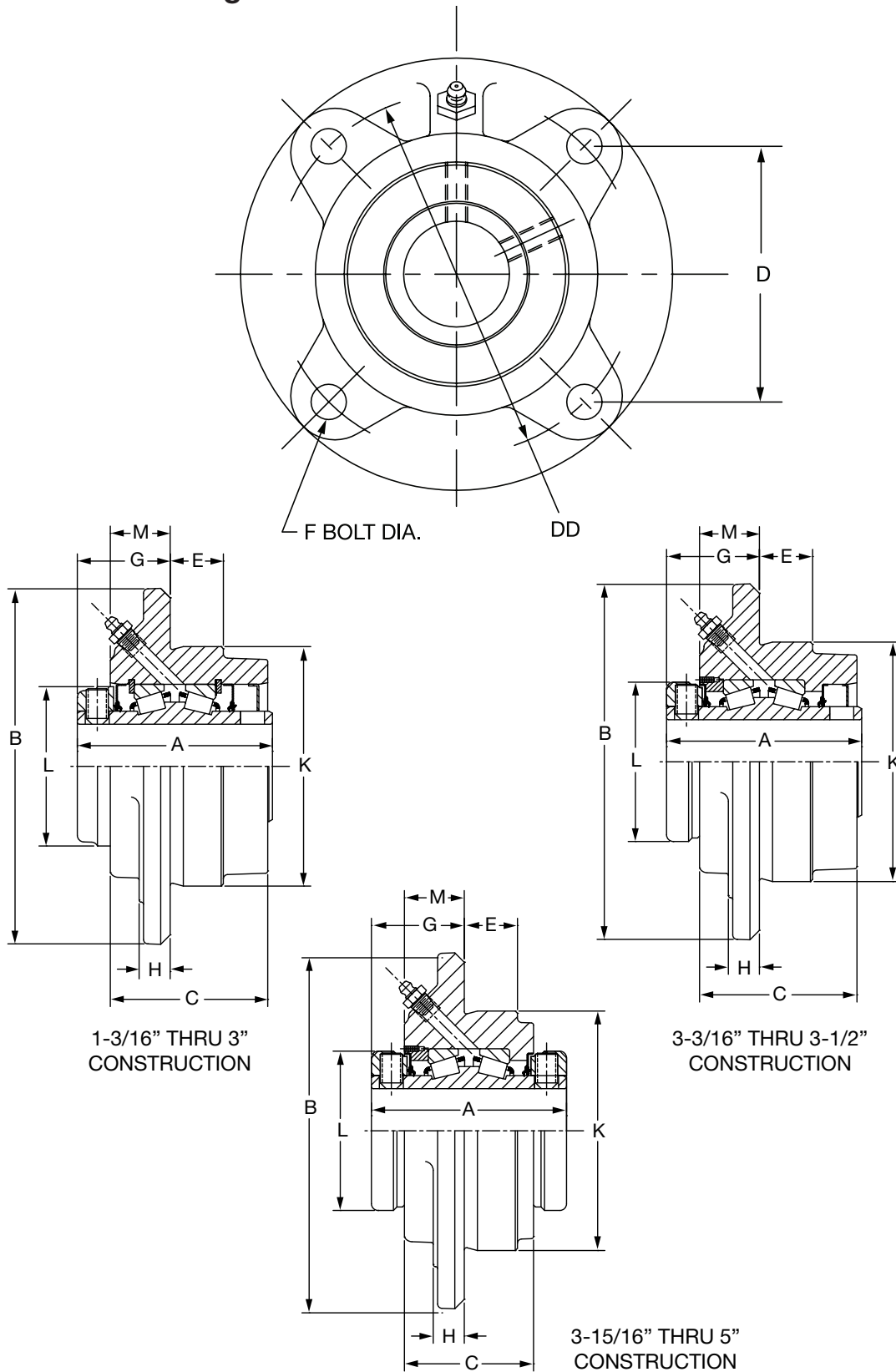


# SELECTION/DIMENSIONS



## Type E-Xtra Piloted Flange



|   |   |                                       |                                    |
|---|---|---------------------------------------|------------------------------------|
| <p>FEATURES/BENEFITS<br/>PAGE B10-2</p> | <p>HOW TO ORDER/NOMENCLATURE<br/>PAGE B10-9</p> | <p>EASY SELECTION<br/>PAGE B10-15</p> | <p>ACCESSORIES<br/>PAGE B10-64</p> |
|---|---|---------------------------------------|------------------------------------|

# SELECTION/DIMENSIONS



## Type E-Xtra Piloted Flange

| Gray Iron           |             |           |                     |
|---------------------|-------------|-----------|---------------------|
| Shaft Size Inches # | Part Number | Part Name | Weight Lbs (Approx) |
| 1-3/16              | 023120      | FC-E-103R | 5                   |
| 1-1/4               | 023121      | FC-E-104R | 5                   |
| 1-3/8               | 023122      | FC-E-106R | 7                   |
| 1-7/16              | 023123      | FC-E-107R | 6                   |
| 1-1/2               | 023124      | FC-E-108R | 10                  |
| 1-5/8               | 023125      | FC-E-110R | 9                   |
| 1-11/16             | 023126      | FC-E-111R | 9                   |
| 1-3/4               | 023127      | FC-E-112R | 11                  |
| 1-7/8               | 023128      | FC-E-114R | 10                  |
| 1-15/16             | 023129      | FC-E-115R | 10                  |
| 2                   | 023130      | FC-E-200R | 10                  |
| 2-3/16              | 023131      | FC-E-203R | 14                  |
| 2-1/4               | 023132      | FC-E-204R | 18                  |
| 2-7/16              | 023133      | FC-E-207R | 18                  |
| 2-1/2               | 023134      | FC-E-208R | 17                  |
| 2-11/16             | 023135      | FC-E-211R | 27                  |
| 2-3/4               | 023136      | FC-E-212R | 27                  |
| 2-15/16             | 023137      | FC-E-215R | 25                  |
| 3                   | 023138      | FC-E-300R | 25                  |
| 3-3/16              | 023139      | FC-E-303R | 44                  |
| 3-1/4               | 023140      | FC-E-304R | 44                  |
| 3-7/16              | 023141      | FC-E-307R | 43                  |
| 3-1/2               | 023142      | FC-E-308R | 42                  |
| 3-15/16             | 023143      | FC-E-315R | 59                  |
| 4                   | 023144      | FC-E-400R | 58                  |
| 4-7/16 ##           | 023145      | FC-E-407R | 110                 |
| 4-1/2 ##            | 023146      | FC-E-408R | 110                 |
| 4-15/16 ##          | 023147      | FC-E-415R | 130                 |
| 5 ##                | 023148      | FC-E-500R | 130                 |

# Consult DODGE For Sizes Not Listed.

| Shaft Size Inches | A    | B     | C    | D    | ØDD   | E    | F Bolt# | G    | H    | K**   | L    | M    |
|-------------------|------|-------|------|------|-------|------|---------|------|------|-------|------|------|
| 1-3/16            |      |       |      |      |       |      |         |      |      |       |      |      |
| 1-1/4             | 2.75 | 5.00  | 2.22 | 2.92 | 4.13  | 0.75 | 3/8     | 1.31 | 0.44 | 3.38  | 2.25 | 0.84 |
| 1-3/8             |      |       |      |      |       |      |         |      |      |       |      |      |
| 1-7/16            | 3.00 | 5.25  | 2.47 | 3.09 | 4.38  | 0.88 | 3/8     | 1.50 | 0.50 | 3.63  | 2.75 | 1.03 |
| 1-1/2             |      |       |      |      |       |      |         |      |      |       |      |      |
| 1-5/8             | 3.38 | 6.13  | 2.39 | 3.62 | 5.13  | 1.06 | 7/16    | 1.56 | 0.50 | 4.25  | 3.19 | 1.03 |
| 1-11/16           |      |       |      |      |       |      |         |      |      |       |      |      |
| 1-3/4             |      |       |      |      |       |      |         |      |      |       |      |      |
| 1-7/8             | 3.50 | 6.38  | 2.91 | 3.80 | 5.38  | 1.19 | 7/16    | 1.56 | 0.56 | 4.50  | 3.44 | 1.03 |
| 1-15/16           |      |       |      |      |       |      |         |      |      |       |      |      |
| 2                 |      |       |      |      |       |      |         |      |      |       |      |      |
| 2-3/16            | 3.75 | 7.13  | 3.09 | 4.24 | 6.00  | 1.19 | 1/2     | 1.69 | 0.56 | 5.00  | 3.75 | 1.09 |
| 2-1/4             |      |       |      |      |       |      |         |      |      |       |      |      |
| 2-7/16            | 4.00 | 7.63  | 3.31 | 4.60 | 6.50  | 1.31 | 1/2     | 1.81 | 0.63 | 5.50  | 4.06 | 1.19 |
| 2-1/2             |      |       |      |      |       |      |         |      |      |       |      |      |
| 2-11/16           |      |       |      |      |       |      |         |      |      |       |      |      |
| 2-3/4             | 4.50 | 8.75  | 3.69 | 5.30 | 7.50  | 1.50 | 5/8     | 2.00 | 0.75 | 6.38  | 4.72 | 1.25 |
| 2-15/16           |      |       |      |      |       |      |         |      |      |       |      |      |
| 3                 |      |       |      |      |       |      |         |      |      |       |      |      |
| 3-3/16            |      |       |      |      |       |      |         |      |      |       |      |      |
| 3-1/4             | 5.00 | 10.25 | 4.19 | 6.10 | 8.63  | 1.25 | 3/4     | 2.44 | 0.94 | 7.38  | 5.50 | 1.69 |
| 3-7/16            |      |       |      |      |       |      |         |      |      |       |      |      |
| 3-1/2             |      |       |      |      |       |      |         |      |      |       |      |      |
| 3-15/16           | 6.25 | 10.88 | 4.50 | 6.63 | 9.38  | 1.50 | 3/4     | 2.69 | 1.00 | 8.13  | 6.00 | 1.81 |
| 4                 |      |       |      |      |       |      |         |      |      |       |      |      |
| 4-7/16            | 6.75 | 13.50 | 4.63 | ##   | 11.75 | 1.50 | 3/4##   | 3.00 | 1.00 | 10.25 | 6.45 | 1.94 |
| 4-1/2             |      |       |      |      |       |      |         |      |      |       |      |      |
| 4-15/16           | 7.25 | 14.75 | 5.06 | ##   | 12.75 | 1.75 | 7/8##   | 2.97 | 1.25 | 11.00 | 7.45 | 1.88 |
| 5                 |      |       |      |      |       |      |         |      |      |       |      |      |

\* 1-3/16 To 3-1/2 - One Collar  
3-15/16 To 5, - Two Collars

## (6) BOLTS EQUALLY SPACED  
\*\* +.000 -.002

NOTE: All sizes use a 1/8-27 NPT hydraulic grease fitting

|                                 |   |                               |                            |
|---------------------------------|---|-------------------------------|----------------------------|
| FEATURES/BENEFITS<br>PAGE B10-2 | HOW TO ORDER/NOMENCLATURE<br>PAGE B10-9 | EASY SELECTION<br>PAGE B10-15 | ACCESSORIES<br>PAGE B10-64 |
|---------------------------------|---|-------------------------------|----------------------------|

Bearing Reference Guide  
 E-Family Roller Bearings  
 Specialty Tapered Products  
 S-2000  
 UNISPHERE II  
 IMPERIAL  
 UNIFIED SAF