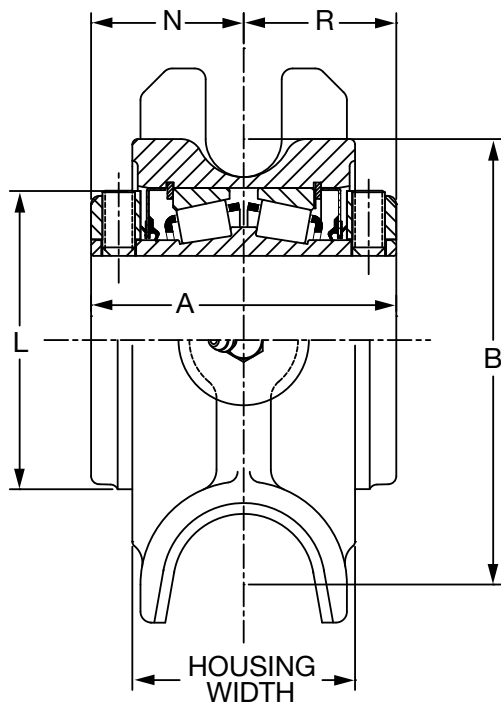
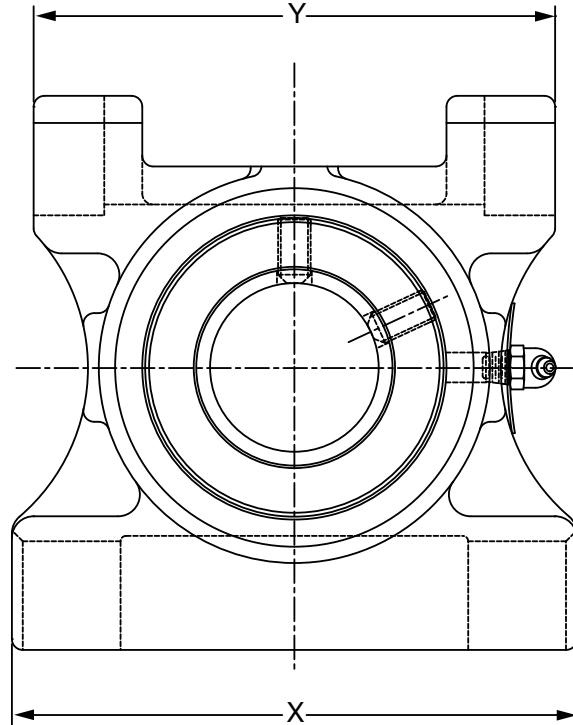


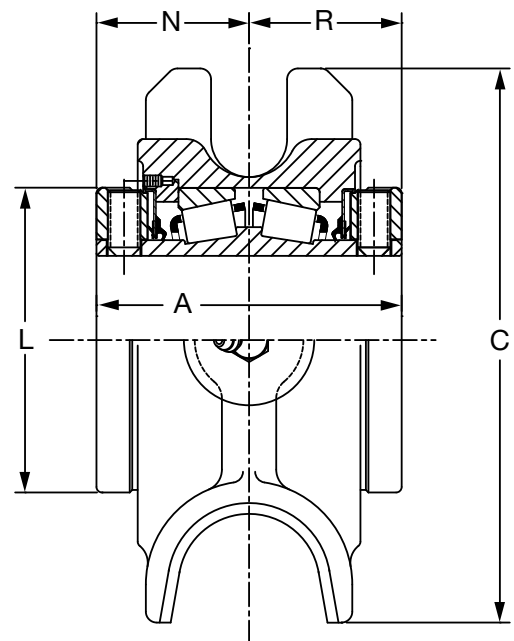
# SELECTION/DIMENSIONS



## Type E-Xtra TP Take-Up Bearing - Inch



1-3/4" THRU 3" CONSTRUCTION



3-3/16" THRU 4" CONSTRUCTION

<p>FEATURES/BENEFITS PAGE B10-2</p>	<p>HOW TO ORDER/NOMENCLATURE PAGE B10-9</p>	<p>EASY SELECTION PAGE B10-15</p>	<p>ACCESSORIES PAGE B10-64</p>
---	---	---------------------------------------	------------------------------------

# SELECTION/DIMENSIONS



## Type E-Xtra TP Take-Up Bearing - Inch

Gray Iron				
Shaft Size Inches #	Part Number	Part Name	Weight Lbs (Approx)	Frame Size Ref.
1-3/4	<b>023149</b>	TP-E-112R	14	TP10
1-7/8	<b>023150</b>	TP-E-114R	14	TP10
1-15/16	<b>023151</b>	TP-E-115R	14	TP10
2	<b>023152</b>	TP-E-200R	14	TP10
2-3/16	<b>023153</b>	TP-E-203R	16	TP20
2-1/4	<b>023154</b>	TP-E-204R	21	TP30
2-7/16	<b>023155</b>	TP-E-207R	21	TP30
2-1/2	<b>023156</b>	TP-E-208R	21	TP30
2-11/16	<b>023157</b>	TP-E-211R	29	TP40
2-3/4	<b>023158</b>	TP-E-212R	29	TP40
2-15/16	<b>023159</b>	TP-E-215R	29	TP40
3	<b>023160</b>	TP-E-300R	29	TP40
3-3/16	<b>023161</b>	TP-E-303R	43	TP50
3-1/4	<b>023162</b>	TP-E-304R	43	TP50
3-7/16	<b>023163</b>	TP-E-307R	42	TP50
3-1/2	<b>023164</b>	TP-E-308R	42	TP50
3-15/16	<b>023165</b>	TP-E-315R	62	TP60
4	<b>023166</b>	TP-E-400R	62	TP60

# Consult DODGE For Sizes Not Listed.

Shaft Size	A	B	C	L	N	Housing Width	X	Y
1-3/4	3.50	5.19	6.38	3.44	1.75	2.56	6.50	6.00
1-7/8								
1-15/16								
2								
2-3/16	3.75	5.81	6.88	3.75	1.88	2.56	6.75	7.00
2-1/4	4.00	6.25	7.44	4.06	2.00	3.00	7.50	7.00
2-7/16								
2-1/2								
2-11/16	4.50	7.19	8.31	4.72	2.25	3.00	8.50	8.00
2-3/4								
2-15/16								
3								
3-3/16	5.00	8.31	9.63	5.50	2.50	3.75	9.50	9.00
3-1/4								
3-7/16								
3-1/2								
3-15/16	6.25	9.06	11.00	6.00	3.13	4.75	11.00	10.50
4								

**NOTE:** All sizes use a 1/8-27 NPT hydraulic grease fitting

FEATURES/BENEFITS PAGE B10-2	HOW TO ORDER/NOMENCLATURE PAGE B10-9	EASY SELECTION PAGE B10-15	ACCESSORIES PAGE B10-64
---------------------------------	---	-------------------------------	----------------------------