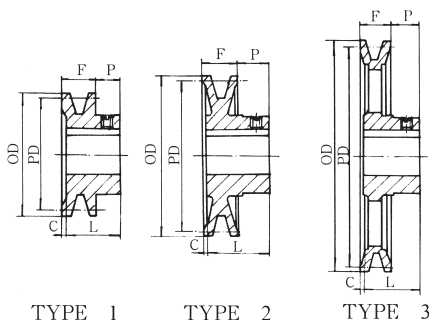


# IDC SELECT® SHEAVES & BUSHINGS

## BORED-TO-SIZE SHEAVES

### SINGLE GROOVE SHEAVES FOR "3L" "4L" & "A" BELTS



TYPE 1

TYPE 2

TYPE 3



Standard Keyseats	
Bore-Range	Keyseat
1/2	None
5/8 - 7/8	3/16 x 3/32
15/16 - 1 1/4	1/4 x 1/8
1 5/16 - 1 3/8	1/4 x 5/32
1 7/16 - 1 3/4	3/8 x 3/16

Part No.	Diameters (in)			Type	Dimension (in)				Stock Bores (in)	Weight (lb)
	O.D.	Pitch			F	L	P	C		
		"3L"	"4L" + "A"							
IDC AK17*	1.75	1.16	1.50	1	21/32	15/16	7/16	5/32	1/2, 5/8	0.20
IDC AK20*	2.00	1.46	1.80	1	21/32	15/16	7/16	5/32	1/2, 5/8, 3/4	0.30
IDC AK21*	2.10	1.56	1.90	1	21/32	15/16	7/16	5/32	1/2, 5/8, 3/4	0.40
IDC AK22*	2.20	1.66	2.00	1	21/32	15/16	7/16	5/32	1/2, 5/8, 3/4	0.50
IDC AK23*	2.30	1.76	2.10	1	21/32	15/16	7/16	5/32	1/2, 5/8, 3/4, 7/8	0.50
IDC AK25*	2.50	1.96	2.30	2	21/32	15/16	7/16	5/32	1/2, 5/8, 3/4, 7/8, 1	0.50
IDC AK26*	2.60	2.06	2.40	2	21/32	15/16	7/16	5/32	1/2, 5/8, 3/4	0.50
IDC AK27*	2.70	2.16	2.50	2	21/32	15/16	7/16	5/32	1/2, 5/8, 3/4	0.60
IDC AK28*	2.80	2.26	2.60	2	21/32	15/16	7/16	5/32	1/2, 5/8, 3/4, 7/8, 1	0.70
IDC AK30*	3.05	2.46	2.80	2	21/32	15/16	7/16	5/32	1/2, 5/8, 3/4, 7/8, 1	0.70
IDC AK32*	3.25	2.66	3.00	2	21/32	15/16	7/16	5/32	1/2, 5/8, 3/4, 7/8, 1, 1 1/8	0.70
IDC AK34*	3.45	2.86	3.20	2	21/32	15/16	7/16	5/32	1/2, 5/8, 3/4, 7/8, 1, 1 1/8	0.90
IDC AK39	3.75	3.16	3.50	2	3/4	15/32	15/32	1/16	1/2, 5/8, 3/4, 7/8, 15/16, 1, 1 1/8	1.40
IDC AK41	3.95	3.36	3.70	2	3/4	15/32	15/32	1/16	1/2, 5/8, 3/4, 7/8, 15/16, 1	1.50
IDC AK44	4.25	3.66	4.00	3	3/4	15/32	15/32	1/16	1/2, 5/8, 3/4, 7/8, 15/16, 1, 1 1/8	1.50
IDC AK46	4.45	3.86	4.20	3	3/4	15/32	15/32	1/16	1/2, 5/8, 3/4, 7/8, 15/16, 1, 1 1/8	1.50
IDC AK49	4.75	4.16	4.50	3	3/4	15/32	15/32	1/16	1/2, 5/8, 3/4, 7/8, 15/16, 1, 1 1/8	1.70
IDC AK51	4.95	4.36	4.70	3	3/4	15/32	15/32	1/16	1/2, 5/8, 3/4, 7/8, 1, 1 1/8	1.70
IDC AK54	5.25	4.66	5.00	3	3/4	15/32	15/32	1/16	1/2, 5/8, 3/4, 7/8, 15/16, 1, 1 1/8, 1 3/16	1.80
IDC AK56	5.45	4.86	5.20	3	3/4	15/32	15/32	1/16	1/2, 5/8, 3/4, 7/8, 15/16, 1, 1 1/8, 1 3/16	1.90
IDC AK59	5.75	5.16	5.50	3	3/4	15/32	15/32	1/16	1/2, 5/8, 3/4, 7/8, 15/16, 1, 1 1/8, 1 3/16	2.00
IDC AK61	5.95	5.36	5.70	3	3/4	15/32	15/32	1/16	1/2, 5/8, 3/4, 7/8, 15/16, 1, 1 1/8, 1 3/16	2.10
IDC AK64	6.25	5.66	6.00	3	3/4	15/32	15/32	1/16	1/2, 5/8, 3/4, 7/8, 15/16, 1, 1 1/8, 1 3/16	2.20
IDC AK66	6.45	5.86	6.20	3	3/4	15/32	15/32	1/16	1/2, 5/8, 3/4, 1, 1 1/8	2.30
IDC AK69	6.75	6.16	6.50	3	3/4	1 15/32	2 3/32	0	3/4, 1, 1 1/8	3.50
IDC AK71	6.95	6.36	6.70	3	3/4	1 15/32	2 3/32	0	1/2, 5/8, 3/4, 1, 1 1/8, 1 7/16	3.80
IDC AK74*	7.25	6.66	7.00	3	3/4	1 15/32	2 3/32**	0	1/2, 5/8, 3/4, 15/16, 1, 1 1/8, 1 3/16, 1 1/4, 1 7/16	3.40
IDC AK79*	7.75	7.16	7.50	3	3/4	1 15/32	2 3/32	0	3/4, 1, 1 1/8, 1 7/16	4.00
IDC AK84*	8.25	7.66	8.00	3	3/4	1 15/32	2 3/32**	0	1/2, 5/8, 3/4, 15/16, 1, 1 3/16, 1 7/16	3.80
IDC AK89*	8.75	8.16	8.50	3	3/4	1 15/32	2 3/32	0	3/4, 1, 1 1/8, 1 7/16	4.30
IDC AK94*	9.25	8.66	9.00	3	3/4	1 15/32	2 3/32**	0	1/2, 5/8, 3/4, 15/16, 1, 1 3/16, 1 1/4, 1 7/16	4.50
IDC AK99*	9.75	9.16	9.50	3	3/4	1 15/32	2 3/32	0	3/4, 1, 1 7/16	5.30
IDC AK104*	10.25	9.66	10.00	3	3/4	1 15/32	2 3/32**	0	5/8, 3/4, 1, 1 3/16, 1 1/4, 1 3/8, 1 7/16	5.10
IDC AK109*	10.75	10.16	10.50	3	3/4	1 15/32	2 3/32	0	3/4, 1, 1 3/8, 1 7/16	5.80
IDC AK114*	11.25	10.66	11.00	3	3/4	1 15/32	2 3/32**	0	3/4, 1, 1 3/16, 1 7/16	5.60
IDC AK124*	12.25	11.66	12.00	3	3/4	1 15/32	2 3/32**	0	5/8, 3/4, 1, 1 3/16, 1 1/4, 1 7/16	6.50
IDC AK134	13.25	12.66	13.00	3	3/4	1 15/32	2 3/32	0	3/4, 1, 1 3/16, 1 3/8, 1 7/16	7.50
IDC AK144	14.25	13.66	14.00	3	3/4	1 15/32	2 3/32	0	3/4, 1, 1 3/16, 1 7/16	8.50
IDC AK154	15.25	14.66	15.00	3	3/4	1 15/32	2 3/32	0	3/4, 1, 1 3/16, 1 3/8, 1 7/16	9.80
IDC AK184	18.25	17.66	18.00	3	3/4	1 15/32	2 3/32	0	3/4, 1, 1 3/16, 1 7/16	12.10

\*Do not use these "AK" sheaves with bores 1" and under with gripnitch belt ratings

\*\*P=25/32" and C=1/16" for 1" bore and smaller

AK sheaves are precision machined from gray cast iron, statically balanced, painted with baked enamel finish and individually packaged. Sheaves are furnished with a standard keyways & set screws.



BORED-TO-SIZE SHEAVES