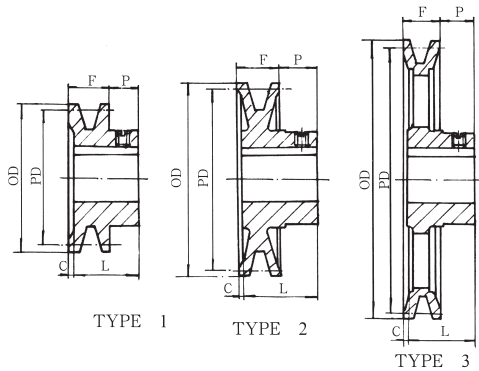


# IDC SELECT® SHEAVES & BUSHINGS

## BORED-TO-SIZE SHEAVES

### SINGLE GROOVE SHEAVES FOR "4L" "5L" & "B" BELTS



Standard Keyseats	
Bore-Range	Keyseat
1/2	None
5/8 - 7/8	3/16 x 3/32
1 1/16 - 1 1/4	1/4 x 1/8
1 5/16 - 1 3/8	5/16 x 5/32
1 7/16 - 1 3/4	3/8 x 3/16

Part No.	Diameters (in)			Type	Dimension (in)				Stock Bores (in)	Weight (lb)
	O.D	Pitch			F	L	P	C		
		"4L"	"5L" + "B"							
IDC BK24*	2.40	1.80	2.20	1	13/16	1 1/16	13/32	5/32	1/2, 5/8, 3/4, 7/8	0.40
IDC BK25*	2.50	1.90	2.30	1	13/16	1 1/16	13/32	5/32	1/2, 5/8, 3/4, 7/8, 1	0.50
IDC BK26*	2.60	2.00	2.40	1	13/16	1 1/16	13/32	5/32	1/2, 5/8, 3/4, 7/8	0.60
IDC BK27*	2.70	2.10	2.50	2	13/16	1 1/16	13/32	5/32	1/2, 5/8, 3/4, 7/8, 1	0.60
IDC BK28*	2.95	2.20	2.60	2	13/16	1 1/16	13/32	5/32	1/2, 5/8, 3/4, 7/8, 1, 1 1/8	0.80
IDC BK30*	3.15	2.40	2.80	2	13/16	1 1/16	13/32	5/32	1/2, 5/8, 3/4, 7/8, 1	0.80
IDC BK32*	3.35	2.60	3.00	2	13/16	1 1/16	13/32	5/32	1/2, 5/8, 3/4, 7/8	0.80
IDC BK34	3.55	2.80	3.20	2	7/8	1 5/32	13/32	1/8	1/2, 5/8, 3/4, 7/8, 1, 1 1/8	1.30
IDC BK36	3.75	3.00	3.40	2	7/8	1 5/32	13/32	1/8	1/2, 5/8, 3/4, 7/8, 1, 1 1/8	1.50
IDC BK40	3.95	3.20	3.60	2	7/8	1 5/32	13/32	1/8	1/2, 5/8, 3/4, 7/8, 1, 1 1/8	1.50
IDC BK45	4.25	3.50	3.90	2	7/8	1 5/32	13/32	1/8	1/2, 5/8, 3/4, 7/8, 1, 1 1/8	1.80
IDC BK47	4.45	3.70	4.10	2	7/8	1 5/32	13/32	1/8	1/2, 5/8, 3/4, 7/8, 1, 1 1/8	1.90
IDC BK50	4.75	4.00	4.40	3	7/8	1 5/32	13/32	1/8	1/2, 5/8, 3/4, 7/8, 1, 1 1/8	2.00
IDC BK52	4.95	4.20	4.60	3	7/8	1 5/32	13/32	1/8	1/2, 5/8, 3/4, 7/8, 1, 1 1/8	2.00
IDC BK55	5.25	4.50	4.90	3	7/8	1 5/32	13/32	1/8	1/2, 5/8, 3/4, 7/8, 1, 1 1/8, 1 3/16	2.20
IDC BK57	5.45	4.70	5.10	3	7/8	1 5/32	13/32	1/8	5/8, 3/4, 7/8, 1 5/16, 1, 1 1/8	2.30
IDC BK60	5.75	5.00	5.40	3	7/8	1 5/32	13/32	1/8	1/2, 5/8, 3/4, 7/8, 1, 1 1/8, 1 3/16	2.30
IDC BK62	5.95	5.20	5.60	3	7/8	1 5/32	13/32	1/8	1/2, 5/8, 3/4, 7/8, 1 5/16, 1, 1 1/8, 1 3/16	2.40
IDC BK65	6.25	5.50	5.90	3	7/8	1 5/32	13/32	1/8	5/8, 3/4, 1, 1 1/8	2.70
IDC BK67	6.45	5.70	6.10	3	7/8	1 5/32	13/32	1/8	5/8, 3/4, 1, 1 1/8	2.80
IDC BK70	6.75	6.00	6.40	3	7/8	1 15/32	2 1/32**	1/16**	5/8, 3/4, 7/8, 1 5/16, 1, 1 1/8, 1 3/16, 1 7/16	3.30
IDC BK72	6.95	6.20	6.60	3	7/8	1 15/32	2 1/32	1/16	3/4, 1, 1 1/8, 1 3/8	3.90
IDC BK75	7.25	6.50	6.90	3	7/8	1 15/32	2 1/32	1/16	3/4, 1, 1 1/8, 1 3/8	3.90
IDC BK77	7.45	6.70	7.10	3	7/8	1 15/32	2 1/32	1/16	3/4, 1, 1 1/8, 1 3/8	4.10
IDC BK80	7.75	7.00	7.40	3	7/8	1 15/32	2 1/32	1/16	5/8, 3/4, 7/8, 1, 1 1/8, 1 3/16, 1 1/4, 1 3/8, 1 7/16	4.40
IDC BK85	8.25	7.50	7.90	3	7/8	1 15/32	2 1/32	1/16	3/4, 1, 1 1/8, 1 3/8, 1 7/16	5.00
IDC BK90	8.75	8.00	8.40	3	7/8	1 15/32	2 1/32	1/16	3/4, 7/8, 1 5/16, 1, 1 1/8, 1 3/16, 1 3/8, 1 7/16	5.00
IDC BK95	9.25	8.50	8.90	3	7/8	1 15/32	2 1/32	1/16	3/4, 1, 1 1/8, 1 3/8, 1 7/16	5.40
IDC BK100	9.75	9.00	9.40	3	7/8	1 15/32	2 1/32	1/16	3/4, 7/8, 1 5/16, 1, 1 1/8, 1 3/16, 1 1/4, 1 3/8, 1 7/16	5.60
IDC BK105	10.25	9.50	9.90	3	7/8	1 15/32	2 1/32	1/16	1, 1 3/8, 1 7/16	5.80
IDC BK110	10.75	10.00	10.40	3	7/8	1 15/32	2 1/32	1/16	3/4, 1, 1 1/8, 1 3/16, 1 3/8, 1 7/16	6.40
IDC BK115	11.25	10.50	10.90	3	7/8	1 15/32	2 1/32	1/16	1, 1 3/8, 1 7/16	6.90
IDC BK120	11.75	11.00	11.40	3	7/8	1 15/32	2 1/32	1/16	3/4, 1, 1 3/16, 1 1/4, 1 3/8, 1 7/16	7.40
IDC BK130	12.75	12.00	12.40	3	7/8	1 15/32	2 1/32	1/16	3/4, 1, 1 1/8, 1 3/16, 1 1/4, 1 7/16	8.40
IDC BK140	13.75	13.00	13.40	3	7/8	1 15/32	2 1/32	1/16	3/4, 1, 1 3/16, 1 7/16	9.40
IDC BK160	15.75	15.00	15.40	3	7/8	1 15/32	2 1/32	1/16	1, 1 1/8, 1 3/16, 1 1/4, 1 7/16	11.40
IDC BK190	18.75	18.00	18.40	3	7/8	1 15/32	2 1/32	1/16	1, 1 3/16, 1 1/4, 1 7/16	13.40

\*Do not use these "BK" sheaves with "B" gripnotch belt ratings  
 \*\*P=1 15/32" and C=1/8" for 1" bore and smaller

BK sheaves are precision machined from gray cast iron, statically balanced, painted with baked enamel finish and individually packaged. Sheaves are furnished with standard keyways & set screws.



BORED-TO-SIZE SHEAVES